



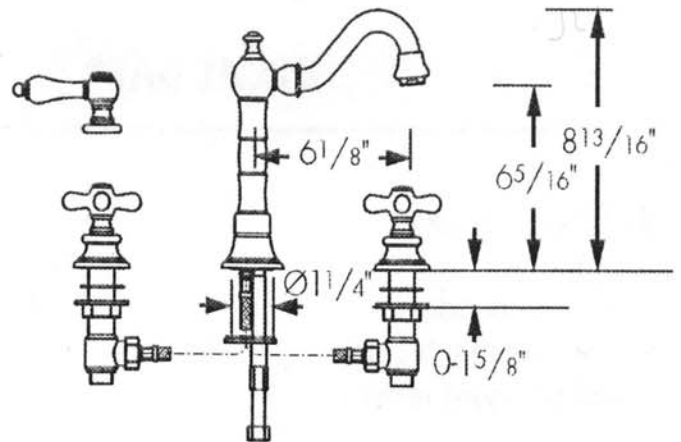
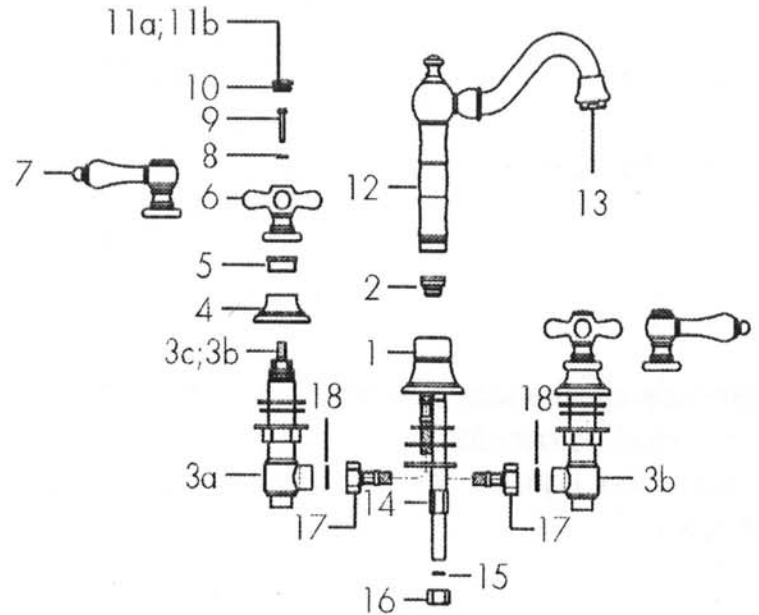
**WHITEHAUS®
COLLECTION**
A Collection of Fine Products

whitehauscollection.com

WHVEGCR3-885

WHVEGLV3-885

1	Base	4114
2	Diverter	2453
3a	Head work assy left	3665
3b	Head work assy right	3664
3c	Head works left	3615
3d	Head works right	3614
4	Cover	4115
5	Ring	4116
6	Cross handle assy	1-4162
7	Lever handle assy	1-4168*
8	Plain washer	4170
9	Screw M4x25	4164
10	O-Ring	1.78x9.25
11a	Handle cap	4165
11b	Handle cap	4172
12	Spout assy	1-3076
13	Aerator set	1-676
14	Mounting nut assy	1-3672
15	Fiber washer	10.5x6x1.5
16	Cap	3675
17	Hose	
18	Fiber washer	



LIVE WITH STYLE!

589 Boston Post Rd - West Haven, CT 06516 USA - Tel: 203.479.8466 - Fax: 203.479.8477

E-mail: info@whitehauscollection.com - Toll Free Tel: 800.527.6690 - Toll Free Fax: 800.694.4837